

#### Features



Figure 1: 4100ES Cabinets are available with one, two or three bays (two bay cabinet shown)

#### Master Controller (top) bay:

- 32-Bit Master Controller with color-coded operator interface including raised switches for high confidence feedback
- Dual configuration program CPU, convenient service port access, and capacity for up to 2500 addressable points
- CPU assembly includes 2 GB dedicated compact flash memory for on-site system programming and information storage
- System power supply (SPS) and charger (9 A total) with on-board: NACs, IDNet addressable device interface, programmable auxiliary output and alarm relay
- Available with InfoAlarm Command Center expanded content user interface, refer to data sheet *S4100-0045*
- Upgrade kits are available for existing control panels

#### Network compatibility:

Compatible with Simplex ES Net or 4120 Fire Alarm Networks

#### Standard addressable interfaces include:

- IDNet addressable device interface with 250 points that support TrueAlarm analog sensing and operate with either shielded or unshielded twisted pair wiring
- Remote annunciator module support through the RUI+ (remote unit interface) communications port

#### Optional modules include:

- Building Network Interface Module (BNIC) for Ethernet connectivity options, refer to data sheet *S4100-0061*
- Electrically isolated output IDNet 2 (two loop) and IDNet 2+2 (four loop) modules with short circuit isolation output loops allowing use with either shielded or unshielded, twisted or untwisted single pair wiring

- Fire Alarm Network Interfaces, DACTs, city connections, and up to five RS-232 ports for printers and terminals
- IP communicator compatibility
- MAPNET II addressable device modules and MAPNET II quad isolator modules
- Alarm relays, auxiliary relays, additional power supplies, IDC modules, NAC expansion modules
- Service modems, VESDA Air Aspiration Systems interface, ASHRAE BACnet Interface, TCP/IP Bridges
- LED/switch modules and panel mount printers
- Emergency communications systems (ECS) equipment; 8 channel digital audio or 2 channel analog audio
- Battery brackets for seismic area protection
- 8-point zone/relay module, each point is selectable as an IDC input or relay output. Class A IDCs require two points (one out and one return). Relays rated for 2 A @ 30 VDC (resistive) and configurable as either normally open or normally closed.
- Compatible with Simplex remotely located 4009 IDNet NAC Extenders, up to ten per IDNet SLC

#### Listings information

- UL 864, Fire Detection and Control (UOJZ), Smoke Control Service (UUKL), Releasing Device Service (SYZV)
- UL 1076, Proprietary Alarm Units - Burglar (APOU)
- UL 2017, Process Management Equipment (QVAX), Emergency Alarm System Control Units (FSZI)
- UL 1730, Smoke Detector Monitor (UULH)
- UL 2572, Mass Notification Systems (PGWM)
- CAN/ULC-S527 Control Units for Fire Alarm Systems (UOJZ7), Releasing Device Service (SYZV7)
- ULC/ORD-C1076 Proprietary Burglar Alarm Units and Systems (APOU7)
- ULC/ORD-C100 Smoke Control System Equipment (UUKL7)

#### Software Feature Summary

##### CPU provides dual configuration programs

- Two programs allow for optimal system protection and commissioning efficiency with one active program and one reserve
- Downtime is reduced because the system stays running during download

##### PC based programmer features

- Convenient front panel accessed Ethernet port for quick and easy download of site-specific programming
- Modifications can be uploaded as well as downloaded for greater service flexibility
- Firmware enhancements are made through software downloads to the on-board flash memory

##### Operator interface features

- TrueAlarm individual analog sensing with front panel information and selection access
- "Dirty" TrueAlarm sensor maintenance alerts, service and status reports including "almost dirty"
- TrueAlarm magnet test indication appears as distinct "test abnormal" message on display when in test mode
- TrueAlarm sensor peak value performance report
- **Install Mode** allows grouping of multiple troubles for uninstalled modules and devices into a single trouble condition, typical with future

\* See module information sections for product that is UL or ULC listed and additional listing information. This product has been listed by the California State Fire Marshal (CSFM) pursuant to Section 13144.1 of the California Health and Safety Code. See CSFM Listing 7165-0026:251(4100ES) for allowable values and/or conditions concerning material presented in this document. Accepted for use - City of New York Department of Buildings - MEA35-93E. At the time of publication only UL and ULC listings are applicable to ES Net network products. Additional listings may be applicable; contact your local Simplex product supplier for the latest status. Listings and approvals under Simplex Time Recorder Co. are the property of Tyco Fire Protection Products.

phased expansion; with future equipment and devices grouped into a single trouble, operators can more clearly identify events from the commissioned and occupied areas

- Module level ground fault searching assists installation and service by locating and isolating modules with grounded wiring
- **Recurring Trouble Filtering** allows the panel to recognize, process, and log recurring intermittent troubles, such as external wiring ground faults, but only sends a single outbound system trouble to avoid nuisance communications
- WALKTEST silent or audible system test performs an automatic self-resetting test cycle

## Introduction

4100ES Series Fire Detection and Control Panels provide extensive installation, operator, and service features with point and module capacities suitable for a wide range of system applications. An on-board Ethernet port provides fast external system communications to expedite installation and service activity. Dedicated compact flash memory archiving provides secure on-site system information storage of electronic job configuration files.

## Modular design

A wide variety of functional modules are available to meet specific system requirements. Selections allow panels to be configured for either Stand-Alone or Networked fire control operation. InfoAlarm Command Center options provide convenient expanded display content, detailed on data sheet *S4100-0045*.

## Module Bay Description

**The Master Controller Bay** (top) includes a standard multi-featured system power supply, the master controller board, and operator interface equipment.

**The Expansion Bays** include a Power Distribution Interface (PDI) for new 4 in. x 5 in. flat design option modules and also accommodate 4100-style modules.

**The Battery Compartment** (bottom) accepts two batteries, up to 50 Ah, to be mounted within the cabinet without interfering with module space.

The following illustration identifies bay locations using a three bay cabinet for reference.

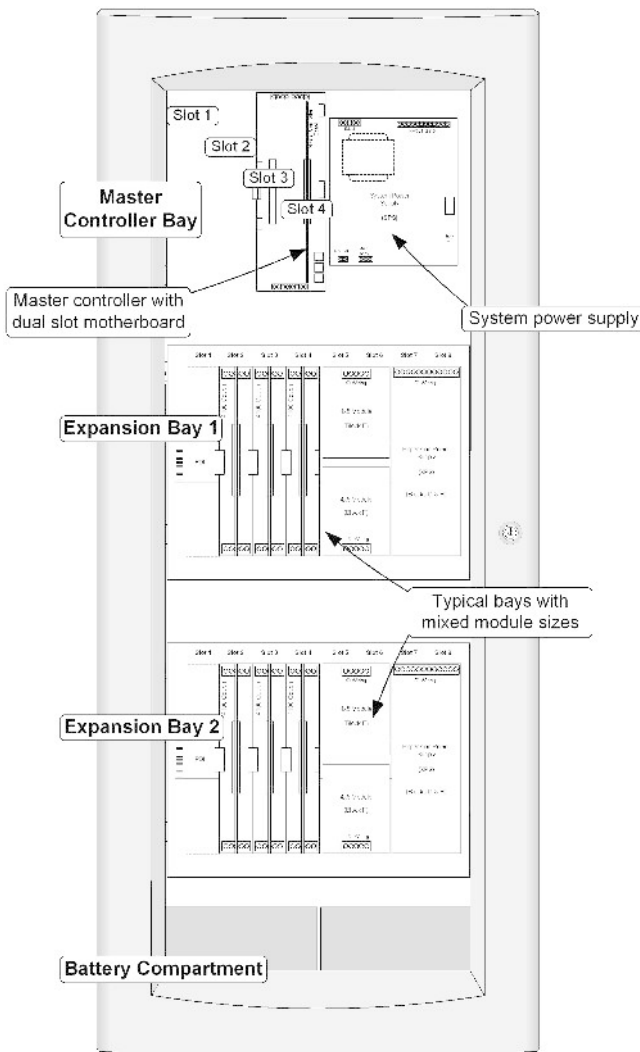


Figure 2: 4100ES Module Bay Reference

## Mechanical Description

- Boxes can be close-nipped; each box provides convenient stud markers for drywall thickness and nail-hole knockouts for quicker mounting
- Smooth box surfaces are provided for locally cutting conduit entrance holes exactly where required
- Cabinet assembly design has been seismic tested and is certified to IBC and CBC standards as well as to ASCE 7 categories A through F, requires 4100-7912 option for additional legacy card stabilizer brackets and battery brackets as detailed on data sheet **S2081-0019**
- The latching dress panel (retainer) assembly easily lifts off for internal access
- NACs are mounted directly on power supply assemblies providing minimized wiring loss, compact size, and readily accessible terminations
- Packaging supports traditional 4100-style motherboard with daughter cards
- Modules are power-limited (except as noted, such as relay modules)
- The NEMA 1/IP30 box is ordered separately and available for early installation
- Doors are available with tempered glass inserts or solid; boxes and doors are available in platinum or red
- Boxes and door/retainer assemblies are ordered separately per system requirements; refer to data sheet **S4100-0037** for details

## Operator Interface Detail Reference

The following illustration identifies the primary functions of the operator interface.

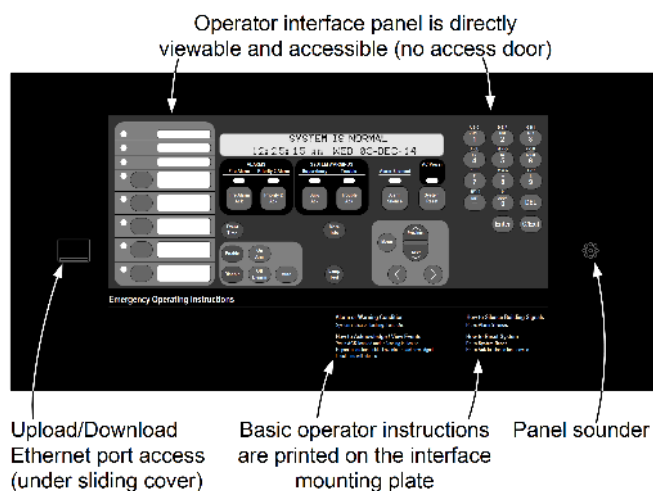


Figure 3: Operator Interface Detail Reference

## Compatible Peripheral Devices

The 4100ES is compatible with an extensive list of remote peripheral devices including printers, CRT/keyboards (up to five total), and both conventional and addressable devices including TrueAlarm analog sensors.

## Addressable Device Control

### Overview

The 4100ES provides standard addressable device communications for IDNet compatible devices and accepts optional modules for communications with MAPNET II compatible devices. Using a two wire communications circuit, individual devices such as manual fire alarm stations, TrueAlarm sensors, conventional IDC zones, and sprinkler

waterflow switches can be interfaced to the addressable controller to communicate their identity and status.

Addressability allows the location and condition of the connected device to be displayed on the operator interface LCD and on remote system annunciators. Additionally, control circuits (fans, dampers, etc.) may be individually controlled and monitored with addressable devices.

### Addressable Operation

Each addressable device on the communication channel is continuously interrogated for status condition such as: normal, off-normal, alarm, supervisory, or trouble. Both Class B and Class A operation are available. Sophisticated poll and response communication techniques ensure supervision integrity and allow for "T-tapping" of the circuit for Class B operation. Devices with LEDs pulse the LED to indicate receipt of a communications poll and can be turned on steady from the panel.

### IDNet Channel Capacity

The CPU bay system power supply (SPS) provides an IDNet signaling line circuit (SLC) that supports up to 250 addressable monitor and control points intermixed on the same pair of wires. Additional 250 point IDNet circuit modules are available, see Table 16.

Table 1: IDNet, MAPNET II, IDNet 2, and IDNet 2+2 SLC Wiring Common Specifications

Specification	Description
Maximum Distance from Control Panel per Device Load	1 to 125 126 to 250
	4000 ft (1219 m); 50 ohms 2500 ft (762 m); 35 ohms
Connections	Terminals for 18 to 12 AWG (0.82 mm <sup>2</sup> to 3.31 mm <sup>2</sup> )

Table 2: IDNet and MAPNET II Specifications

Specification	Description
Wire Type	Preferred: Shielded twisted pair (STP) Acceptable: Unshielded twisted pair (UTP)
IDNet and MAPNET II Wiring, Total Wire Length Allowed With "T" Taps for Class B Wiring	Up to 10,000 ft (3 km); 0.58 μF

Table 3: IDNet 2 and IDNet 2+2 Wiring Specifications

Specification	Description
Wire Type	Shielded or unshielded, twisted or untwisted wire
Total Wire Length Allowed With "T" Taps for Class B Wiring	Up to 12,500 ft (3.8 km); 0.60 μF
Maximum Capacitance Between IDNet 2 Channels	1 μF
IDNet 2 and IDNet 2+2 Module Compatibility: IDNet communicating devices and TrueAlarm sensors including QuickConnect and QuickConnect2 sensors	

**Note:** Some applications may require shielded wiring. Review your system with your local Simplex product supplier.

## TrueAlarm System Operation

Addressable device communications include operation of TrueAlarm smoke and temperature sensors. Smoke sensors transmit an output value based on their smoke chamber condition and the CPU maintains a current value, peak value, and an average value for each sensor. Status is determined by comparing the current sensor value to its average value. Tracking this average value as a continuously shifting reference point filters out environmental factors that cause shifts in sensitivity.

**Programmable sensitivity** of each sensor can be selected at the control panel for different levels of smoke obscuration (shown directly in percent) or for specific heat detection levels. To evaluate whether the sensitivity should be revised, the peak value is stored in memory and can be easily read and compared to the alarm threshold directly in percent.

**CO sensor bases** combine an electrolytic CO sensing module with a TrueAlarm analog sensor to provide a single multiple sensing assembly using one system address. The CO sensor can be enabled/disabled, used in LED/Switch modes and custom control, and can be made public for communication across a fire alarm Network. For more details, refer to data sheet [S4098-0052](#).

**TrueAlarm heat sensors** can be selected for fixed temperature detection, with or without rate-of-rise detection. Utility temperature sensing is also available, typically to provide freeze warnings or alert to HVAC system problems. Readings can be selected as either Fahrenheit or Celsius.

### TrueSense Early Fire Detection

Multi-sensor 4098-9754 provides photoelectric and heat sensor data using a single 4100ES IDNet address. The panel evaluates smoke activity, heat activity, and their combination, to provide TrueSense early detection. For more details on this operation, refer to data sheet [S4098-0024](#).

## Diagnostics and Default Device Type

### Sensor Status

TrueAlarm operation allows the control panel to automatically indicate when a sensor is almost dirty, dirty, and excessively dirty. The NFPA 72 requirement for a test of the sensitivity range of the sensors is fulfilled by the ability of TrueAlarm operation to maintain the sensitivity level of each sensor. CO Sensors track their 10 year active life status providing indicators to assist with service planning. Indicators occur at: 1 year, 6 months, and when end of life is reached.

### Modular TrueAlarm sensors

TrueAlarm sensors use the same base and different sensor types (smoke or heat sensor) and can be easily interchanged to meet specific location requirements. This allows intentional sensor substitution during building construction when conditions are temporarily dusty. Instead of covering smoke sensors (causing them to be disabled), heat sensors may be installed without reprogramming the control panel. The control panel will indicate an incorrect sensor type, but the heat sensor will operate at a default sensitivity to provide heat detection for building protection at that location.

## CPU Bay Module Details

### Master Controller and Motherboard

- Mounts in Slot 4 of a two slot motherboard (Slots 3 and 4 of the Master Controller Bay) and provides one Class B or Class A, RUI+ communications channel configurable for isolated or un-isolated operation
- Slot 3 of the motherboard is primarily for a modular network interface card, or secondarily for the 4100-6038 dual RS-232 board
- RUI communications controls up to 31 devices per master controller (on one or multiple RUI+ and RUI channels); devices include: MINIPLEX transponders, 4603-9101 LCD Annunciators, 4602-9101 Status Command Units (SCU), 4602-9102 Remote Command Units (RCU), 4602 Series LED Annunciator Panels, and 4100 Series 24 I/O and LED/Switch modules.

**Note:** 4602 series annunciators require un-isolated communications

- Up to four RUI channels (combination of built-in RUI+ and optional RUI modules) are supported per master controller
- Optional Service Modem 4100-6030 mounts onto the master controller board with its own on-board connections

### System Power Supply

- Rating is 9 A total with "Special Application" appliances; 4 A total for "Regulated 24 DC" appliance power
- Outputs are power-limited, except for the battery charger

- Provides system power, battery charging, auxiliary power, auxiliary relay, earth detection, on-board IDNet communications channel for 250 points, three on-board NACs, and provisions for either an optional City Connect Module or an optional Alarm Relay Module
- **IDNet SLC Output** provides Class B or Class A communications for up to 250 addressable devices, as described in [Addressable Device Control](#)
- Three, 3 A On-Board NACs, conventional reverse polarity operation; rated 3 A for Special Application appliances and 2 A for Regulated 24 DC power, with electronic control and overcurrent protection; selectable as Class B or Class A, and for synchronized strobe or SmartSync horn/strobe operation over two wires
- NACs are selectable as auxiliary power outputs derated to 2 A for continuous duty; total auxiliary power output per SPS is limited to 5 A
- **Battery Charger** is dual rate, temperature compensated, and charges up to 50 Ah sealed lead-acid batteries mounted in the battery compartment (33 Ah for single bay cabinets); also is UL listed for charging up to 110 Ah batteries mounted in an external cabinet, refer to data sheet [S2081-0012](#) for details
- **Battery and Charger Monitoring** includes battery charger status and low or depleted battery conditions; status information provided to the master controller includes analog values for: battery voltage, charger voltage and current, actual system voltage and current, and individual NAC currents
- **2 A Auxiliary Power Output** is selectable for detector reset, door holder, or coded output operation
- **Auxiliary Relay** is selectable as N.O. or N.C., rated 2 A @ 32 VDC, and is programmable as a trouble relay, either normally energized or normally de-energized, or as an auxiliary control
- **Optional City Connect Module** (4100-6031, with disconnect switches, or 4100-6032, without disconnect switches) can be selected for conventional dual circuit city connections
- **Optional Alarm Relay Module** (4100-6033) provides three Form C relays that are used for Alarm, Trouble, and Supervisory, rated 2 A resistive @ 32 VDC

### 8-Point Zone/Relay Module Details

- Select as IDC or Relay; configure up to eight Class B IDCs, or up to four Class A IDCs; or up to eight Relay outputs rated 2 A resistive @ 30 VDC (N.O. or N.C.); or combinations of IDCs and Relays; each zone is separately configurable as an IDC or Relay output
- IDC Support: each IDC supports up to 30, two-wire devices. Zone relay modules may be powered directly from the control unit power supply or through the optional 25 VDC regulator module where required for two-wire detector compatibility. Refer to 2-Wire Detector Compatibility document 579-832 for additional details.
- IDC EOL resistor values are selectable as: 3.3 k $\Omega$ , 2 k $\Omega$ , 2.2 k $\Omega$ , 3.4 k $\Omega$ , 3.9 k $\Omega$ , 4.7 k $\Omega$ , 5.1 k $\Omega$ , 5.6 k $\Omega$ , 6.34/6.8 k $\Omega$ , and 3.6 k $\Omega$  + 1.1 k $\Omega$ ; see instructions for more details

## Operator Interface

With the locking door closed, the glass window allows viewing of the display, status LEDs, and available operator switches. Features include a two-line by 40-character, wide viewing angle (super-twist) LCD with status LEDs and switches as shown in Figure 4.

LED indicators describe the general category of activity being displayed with the LCD providing more detail. For the authorized user, unlocking the door provides access to the control switches and allows further inquiry by scrolling the display for additional detail.

- Convenient and extensive operator information is provided using a logical, menu-driven display
- Multiple automatic and manual diagnostics for maintenance reduction
- Alarm and Trouble History Logs (up to 1000 entries for each, 2000 total events) are available for viewing from the LCD, or capable of being printed to a connected printer, or downloaded to a service computer
- Convenient PC programmer label editing
- Password access control

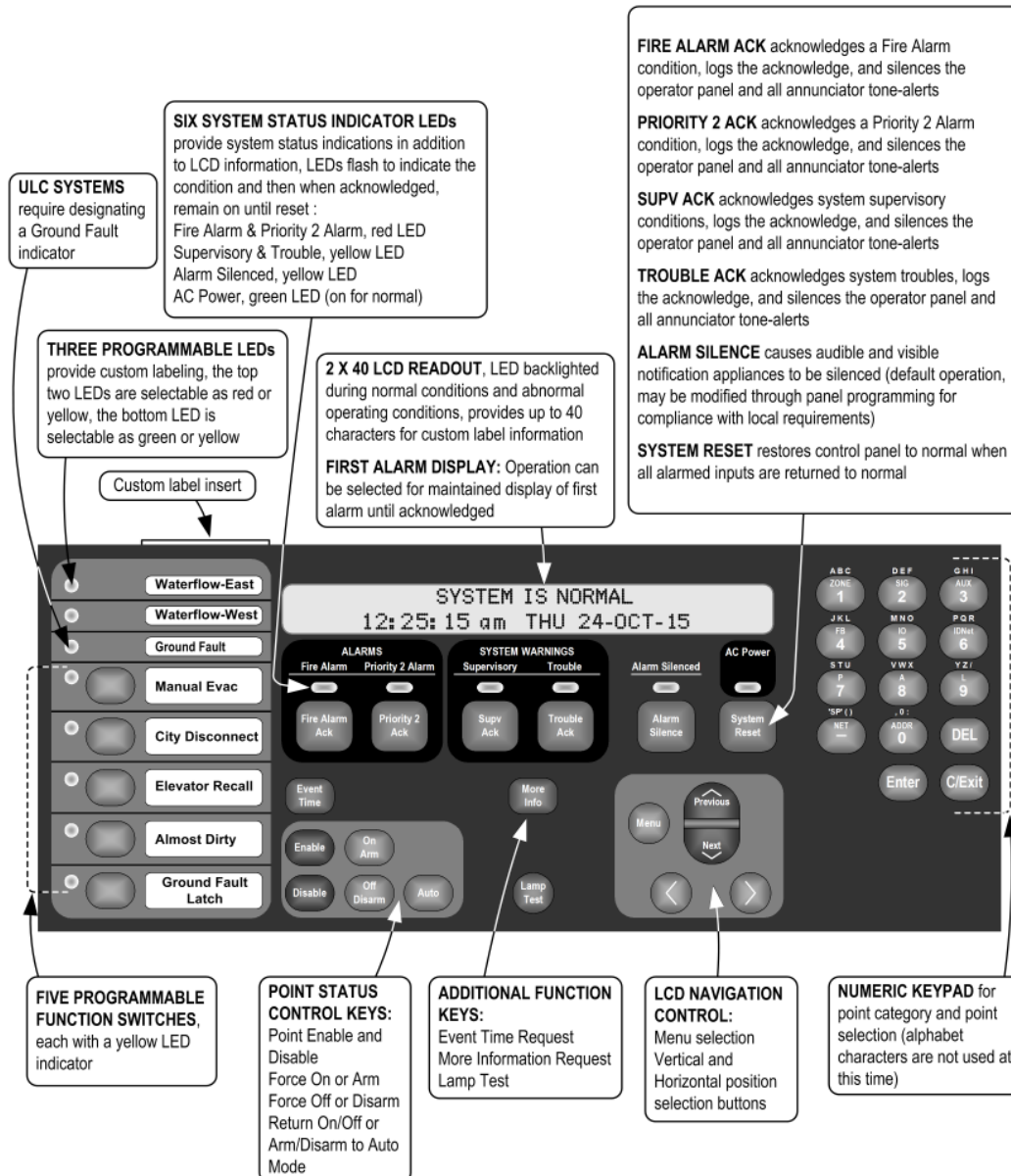
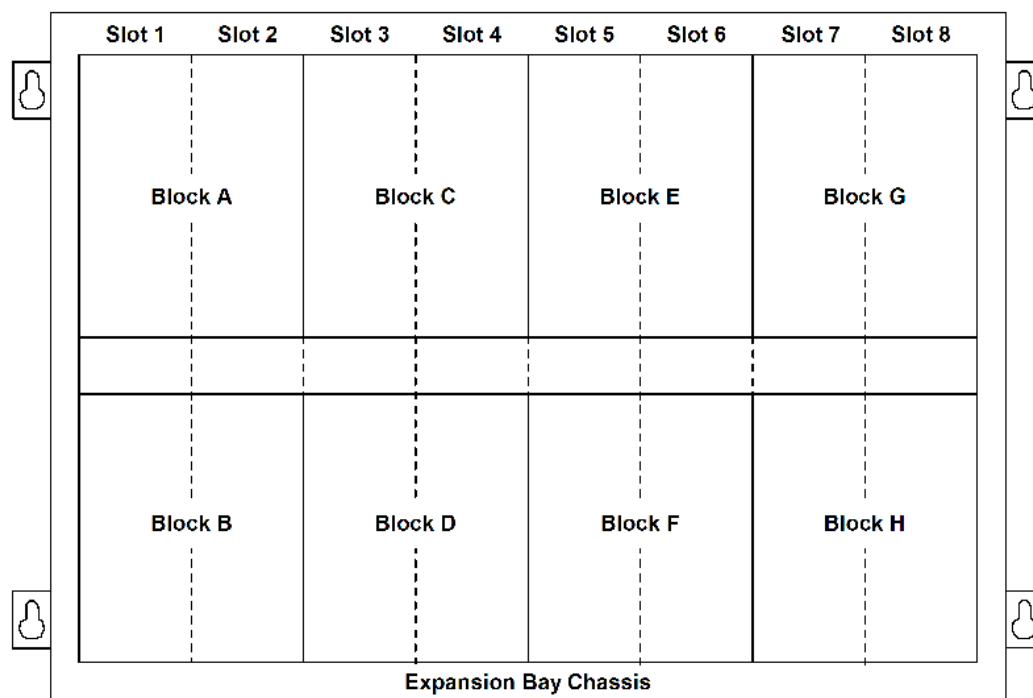


Figure 4: Operator Interface

### Expansion Bay Module Loading Reference



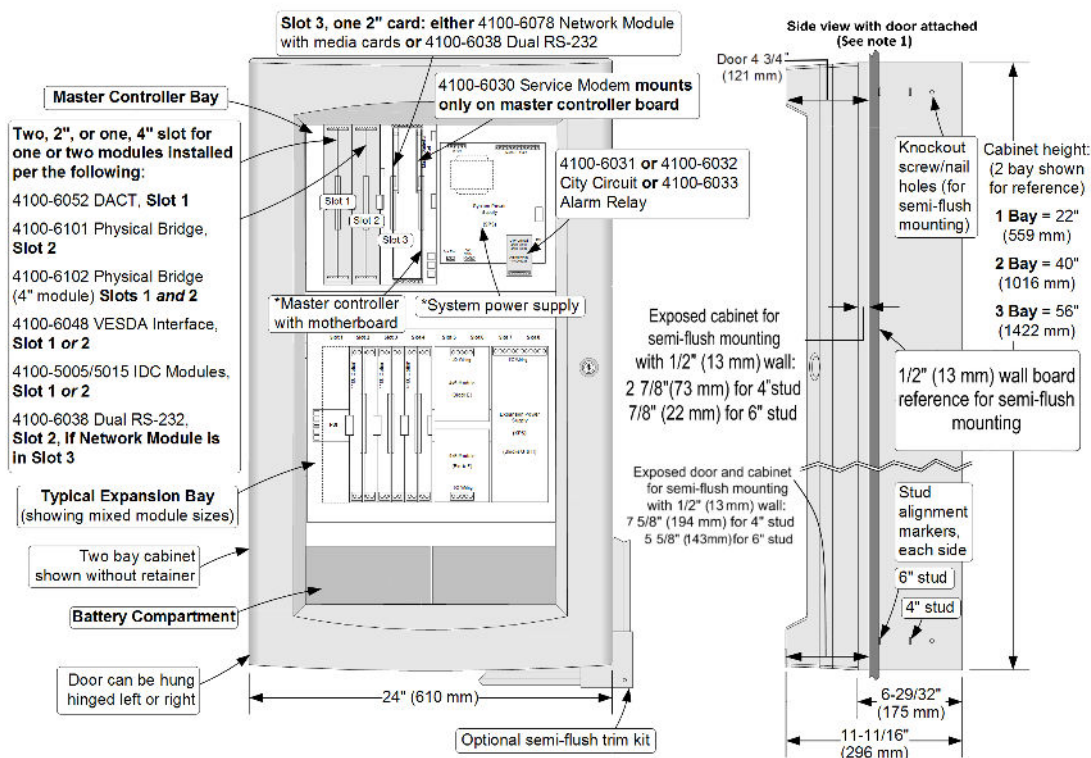
**Size Definitions:** Block = 4 in. W x 5 in. H (102 mm x 127 mm) card area

Slot = 2 in. W x 8 in. H (51 mm x 203 mm) motherboard with daughter card

**Table 4: Expansion bay loading reference**

Description		Mounting
IDNet 2, IDNet 2+2 Modules		1 Block
4, 2 A Relays	NON Power-limited	1 block
4, 10 A Relays		4 in., 2 slots
8, 3 A Relays		1 block
VESDA Interface		2 in., 1 Slot
Class B IDC		2 in., 1 Slot
Class A IDC		2 in., 1 Slot
MAPNET II Module		4 in., 2 Slots
MAPNET II/IDNet Isolator		2 in., 1 Slot
Decoder Module		6 in., 3 Slots
System or Remote Power Supply		Blocks E, F, G & H ONLY
Expansion Power Supply		Blocks G & H ONLY
NAC Expansion Module		On XPS ONLY

**Mounting and CPU Bay Module Reference**



**Figure 5: Mounting and CPU Bay Module Reference**

**Note:**

1. Side view dimensions are shown with minimal cabinet and door protrusion from the exterior wall. For 6 in. stud construction with minimum protrusion shown, the door will open 90 degrees. To allow the door to open 180 degrees, the exposed cabinet dimension from the exterior wall must be a minimum of 3 in. (76 mm) for both 4 in. and 6 in. stud construction.
2. Asterisks (\*) in Figure 5 indicate supplied modules.
3. A system ground must be provided for earth detection and transient protection devices. This connection shall be made to an approved, dedicated earth connection per NFPA 70, article 250, and NFPA 780.

## General Specifications

**Table 5: General Specifications**

Specification		Rating	
<b>Input Power</b>	System Power Supplies (SPS)	120 VAC Models	4 A maximum @ 102 to 132 VAC, 60 Hz
	Expansion Power Supplies (XPS) Remote Power Supplies (RPS)	220 to 240 VAC Models	2 A maximum @ 204 to 264 VAC, 50/60 Hz; separate taps for 220/230/240 VAC
<b>Power Supply Output Ratings for SPS, XPS, and RPS</b> (nominal 28 VDC on AC; 24 VDC on battery backup)		Total Power Supply Output Rating	Including module currents and auxiliary power outputs; 9 A total for "Special Application" appliances; 4 A total for "Regulated 24 DC" power (see below for details)
		Auxiliary Power Tap	2 A maximum
		NACs Programmed for Auxiliary Power	2 A maximum per NAC; 5 A maximum total
			Rated 19.1 to 31.1 VDC
			Output switches to battery backup during mains AC failure or brownout conditions
<b>Special Application Appliances</b>		Simplex horns, strobes, and combination horn/strobes and speaker/strobes (contact your Simplex product representative for compatible appliances)	
<b>Regulated 24 DC Appliances</b>		Power for other UL listed appliances; use associated external synchronization modules where required	
<b>Battery Charger Ratings for SPS and RPS</b> (sealed lead-acid batteries)	Battery capacity range	UL listed for battery charging of 6.2 Ah up to 110 Ah (batteries larger than 50 Ah require a remote battery cabinet); ULC listed for charging up to 50 Ah batteries	
	Charger characteristics and performance	Temperature compensated, dual rate, recharges depleted batteries within 48 hours per UL Standard 864; to 70% capacity in 12 hours per ULC Standard S527	
<b>Environmental</b>	Operating Temperature	32°F to 120°F (0°C to 49°C)	
	Operating Humidity	Up to 93% RH, non-condensing @ 90°F (32°C) maximum	
<b>Additional Technical Reference</b>	Installation Instructions	<b>574-848</b>	
	Operating Instructions	<b>579-197</b>	

## Master Controller Selection Information

### Notes for Table 6 and Table 7

1. Refer to data sheet *S4100-0045* for InfoAlarm Command Center expanded content display products.
2. Master Controller current does not subtract from 9 A output rating.
3. Supervisory and alarm currents are without IDNet devices. Add IDNet device currents separately.

**Table 6: 4100ES Master Controller and Expansion Bay Selection (Canadian models have low battery cutout)**

Model	Model Type and Listing	Description	Supv.	Alarm
4100-9111	120 VAC Input	UL	373 mA	470 mA
4100-9112	English	ULC		
4100-9113	French			
4100-9211	220-240 VAC Input	UL	363 mA	425 mA
4100-9131	120 VAC Input	UL		
4100-9132	English, 120 VAC, Canadian	ULC		
4100-9230	220 to 240 VAC Input	UL	718 mA	937 mA
4100-9121 (not ULC listed)	Redundant Master Controller with a two bay assembly, one for each of the primary and backup master controllers. Both bays have an LCD and operator interface, CPU card assembly, and 9 A system power supply (SPS) 120 VAC, 60 Hz input. Active SPS battery charger in Bay 1 only. External RUI connections require 4100-1291 RUI expansion modules. Do not use circuit connections (IDNet, NACs, etc.) on primary and secondary SPS power supplies. <b>Not compatible with ES Net network panels</b>			

**Table 7: 4100ES Master Controller Upgrades for Existing 4100 Series Fire Alarm Control Panels**

Model	Panel Type	Includes
4100-7150	1000 pt 4100 (4100+)	New Master Controller CPU card, 4100ES door assembly with LCD and user interface, and Ethernet connection
4100-7152	512 pt 4100	Same as 4100-7150 plus a Universal Power Supply
4100-7158	4100U or 1000 pt 4100 (4100+) previously upgraded to 4100U	New Master Controller CPU card with Ethernet Connection Upgrade Kit (door assembly with LCD and user interface are not included) for: 4100U with or without LCD and operator interface, or 4100+ without LCD and operator interface, or an existing 4100 (512 pt) or 4100+ (1000 pt) panel that was previously upgraded to a 4100U Master Controller and Display



**Table 8: Master Controller Accessories**

Model	Description
4100-2300	Expansion Bay Assembly; order for each required expansion bay (not required for 4100-9121)
4100-2303	Legacy Module Stabilizer Bracket, used when expansion bays have legacy slot style modules
4100-2301	Expansion Bay Upgrade Kit for mounting 4100ES style (4 in. x 5 in. modules) in existing 4100 style panels; <b>Note:</b> When using this kit to upgrade a 4100+ transponder, a 4100-0620 Transponder Interface Card (TIC) is also required for communications to the 4100ES module

**Table 9: Master Controller Upgrades for Existing 4020 Series Fire Alarm Control Panel**

Model	Description
4100-9833	4020 Master Controller Upgrade to 4100ES; Includes New Master Controller with LCD & operator interface assembly, 8 VDC Converter and RUI+ (isolated or un-isolated) Interface in a single bay cabinet with locking glass door and retainer; mounts as an adjunct panel close-nipped to existing 4020 cabinet; also includes 8 VDC box-to-box power and communications harness and solid filler panel for the existing 4020 Master Controller bay

## Module Selection Information

### Current Calculation Notes

To determine total supervisory current, add currents of modules in panel to base system value and all external loads powered by panel power supplies.

To determine total alarm current, add currents of modules in panel to base system alarm current and add all panel NAC loads and all external loads powered from panel power supplies.

**Table 10: Communication Modules**

Model	Description	Size	Supv.	Alarm		
4100-1291	Un-isolated remote unit interface module (RUI); up to three maximum per control panel	1 Slot	85 mA	85 mA		
4100-6030	Service Port Modem, local panel access only, mounts to Master Controller Module, requires telephone line connection, accesses same information as front panel port	N.A.	70 mA	70 mA		
4100-6031	<b>Select one per SPS (fits on SPS)</b>	City Circuit, with disconnect switches	For use with SPS only, N.A.	20 mA	36 mA	
4100-6032		City Circuit, w/o disconnect switches	not RPS	N.A.	20 mA	36 mA
4100-6033		Alarm Relay, 3 Form C relays, 2 A @ 32 VDC; for SPS or RPS	N.A.	15 mA	37 mA	
4100-6038	Dual Port RS-232 with 2120 interface (slot module)	3 maximum of RS-232 type modules per panel	1 Slot	132 mA	132 mA	
4100-6046	Dual Port RS-232 standard interface (4 in. x 5 in. module)		1 Block	60 mA	60 mA	
4100-6045	Decoder Module	3 Slots	85 mA	163 mA		
4100-6048	VESDA Aspiration System Interface	1 Slot	132 mA	132 mA		
4100-6052	DACT, Point or Event Reporting; one shipped unless 4100-7908 is selected; two max. per system; includes two 2080-9047 cables, 14 ft (4.3 m) long, RJ45 plug and spade lugs	1 Slot	30 mA	40 mA		

**Table 11: Expansion, System and Remote Power Supplies (Canadian models have low battery cutout)**

Model	Voltage/Listing	Description	Size	Supv.	Alarm
4100-5101	120 VAC	UL <b>Expansion Power Supply (XPS);</b> 9 A output, three built-in Class A/B NACs; NAC operation is same as SPS, see <a href="#">Operator Interface</a> for details	2 Blocks	50 mA	50 mA
4100-5103	120 VAC, Canadian	ULC <b>Expansion Power Supply (XPS);</b> 9 A output, three built-in Class A/B NACs; NAC operation is same as SPS, see <a href="#">Operator Interface</a> for details	2 Blocks	50 mA	50 mA
4100-5102	220 to 240 VAC	UL <b>Expansion Power Supply (XPS);</b> 9 A output, three built-in Class A/B NACs; NAC operation is same as SPS, see <a href="#">Operator Interface</a> for details	2 Blocks	50 mA	50 mA
4100-5115	NAC Expansion Module, three NACs, Class A/B, mounts on XPS only		N.A.	25 mA	25 mA
4100-5111	120 VAC	UL <b>Additional System Power Supply (SPS);</b> 9 A power supply/charger with 250 point IDNet channel, three Class A/B NACs, add IDNet device currents separately	4 Blocks	175 mA	185 mA
4100-5112	120 VAC, Canadian	ULC <b>Additional System Power Supply (SPS);</b> 9 A power supply/charger with 250 point IDNet channel, three Class A/B NACs, add IDNet device currents separately	4 Blocks	175 mA	185 mA
4100-5113	220 to 240 VAC	UL <b>Additional System Power Supply (SPS);</b> 9 A power supply/charger with 250 point IDNet channel, three Class A/B NACs, add IDNet device currents separately	4 Blocks	175 mA	185 mA
4100-5125	120 VAC	UL <b>Remote Power Supply (RPS);</b> 9 A power supply/charger similar to SPS except no IDNet channel or City Circuits; will accept one 4100-6033	4 Blocks	150 mA	185 mA

**Table 11: Expansion, System and Remote Power Supplies (Canadian models have low battery cutout)**

Model	Voltage/Listing	Description	Size	Supv.	Alarm
4100-5126	120 VAC, Canadian	ULC <b>Remote Power Supply (RPS);</b> 9 A power supply/charger similar to SPS except no IDNet channel or City Circuits; will accept one 4100-6033	4 Blocks	150 mA	185 mA
4100-5127	220 to 240 VAC	UL <b>Remote Power Supply (RPS);</b> 9 A power supply/charger similar to SPS except no IDNet channel or City Circuits; will accept one 4100-6033	4 Blocks	150 mA	185 mA

**Table 12: Power supply accessories**

Model	Description	Size	Current
4100-5152	12 VDC Power Option, 2 A maximum	1 Block	1.5 A maximum
4100-0156	8 VDC Converter, required for multiple Physical Bridge Modules, 3 A maximum	1 Block	included w/loads
4100-5130	Voltage Regulator Module, 22.8 to 26.4 VDC (25VDC nominal); isolated and resettable output; includes earth detection circuit and trouble relay for status monitoring.	1 Block	3 A maximum with 2.5 A load, 4.9 A maximum with 4 A load
4100-0636	Box Interconnection Harness Kit (non-audio); order one for each close-nipped cabinet		
4100-0638	4100 Slot Module Additional 24 VDC Harness; needed when 4100 Slot module requirements exceed 2 A from SPS		

**Table 13: Expansion Signal Module and Options (1.5 A Class B except as noted)**

Model	Description	Supv.	Alarm
4100-5116	Converts one NAC in to three NACs out; 1 Block size	18 mA	80 mA
4100-1266	Expands three NACs to six	select one; mounts on 0.6 mA	60 mA
4100-1267	Converts three NACs to Class A	4100-5116 0.6 mA	30 mA

**Table 14: 8 Zone Initiating Device Circuits**

Model	Type	Supv.	Alarm
4100-5005	Class B	75 mA	195 mA
4100-5015	Class A	75 mA	195 mA

**Note:** Modules listed in Table 14 are for use with all 4100U systems and 4100ES systems version 3.03.05 or earlier. IDC Modules are 1 slot size.

**Table 15: 8-Point Zone/Relay Card**

Model	Description	Size	Supv.	Alarm
4100-5013	8 point zone/relay 4 in. x 5 in. flat module. Supports eight Class B or four Class A IDCs. Mounts in any open block in a master controller or expansion bay. Alarm current shown is for eight Class B IDCs using 3.3K end-of-line-resistors with four in alarm and four in standby. Standby current shown is for all eight IDCs in standby. Refer to 579-1236 Zone/Relay Module Installation Instructions for additional information.	1 block	83 mA	295 mA
4100-6305	25 V regulator harness for 8 point zone/relay module. One required for each 8 point zone/relay module to be powered by the 4100-5130 25 V regulator module. A maximum of five 8 point zone/relay modules may be powered from the 4100-5130 per bay.	N/A	N/A	N/A

**Note:** Modules in Table 15 requires 4100ES Version 3.04.01 or later.

**Table 16: IDNet Addressable Interface Modules**

Model	Description	Supv.	Alarm	
4100-3109	IDNet 2 Module, 250 point capacity; electrically isolated output with two short circuit isolating Class B or Class A output loops, one block; standard on EPS with IDNet 2 Module; alarm currents for 50 and above devices includes 20 device LEDs in alarm	no devices	50 mA	60 mA
		50 devices	90 mA	150 mA
		125 devices	150 mA	225 mA
		250 devices	250 mA	350 mA
4100-3110	IDNet 2+2 Module, 250 point capacity; electrically isolated output with four short circuit isolating Class B or Class A output loops, one block; alarm currents for 50 and above devices includes 20 device LEDs in alarm	no devices	50 mA	60 mA
		50 devices	90 mA	150 mA
		125 devices	150 mA	225 mA
4100-3111	IDNet Short Circuit Isolating Loop Output Module; mount up to two on a 4100-3109 module; for use with 4100-3109 modules; this option is for aftermarket field installation only	250 devices	250 mA	350 mA

**Note:** Loading per IDNet device (no LEDs on) = 0.8 mA supervisory and 1 mA alarm. Each IDNet 2 and IDNet 2+2 Short Circuit Isolating Loop Output can be individually controlled for system diagnostics and can be assigned a public point for Fire Alarm Network annunciation.

**Table 17: MAPNET Addressable Interface Modules**

Model	Description	Supv.	Alarm
4100-3102	MAPNET II Module, 127 point capacity, add devices separately; Module size = 2 Slots; Loading per MAPNET II device = 1.7 mA	Module without devices	275 mA
		Fully loaded module, total	471 mA
4100-3103	Isolator Module for MAPNET II communications; converts a single connected SLC into four isolated outputs selectable as Class A or Class B; up to two Isolator Modules can be connected to one SLC; Module size = 1 Slot;  <b>Note:</b> Compatible with MAPNET II Remote Isolators only	50 mA	50 mA

**Table 18: Relay Modules; Non power-limited (for mounting in expansion bay only)**

Model	Description	Resistive Ratings	Inductive Ratings	Size	Supv.	Alarm
4100-3202	4 DPDT w/feedback	10 A 250 VAC	10 A 250 VAC	2 Slots	15 mA	175 mA
4100-3204	4 DPDT w/feedback	2 A 30 VDC/VAC	1/2 A 30 VDC/120 VAC	1 Block	15 mA	60 mA
4100-3206	8 SPDT	3 A 30 VDC/120 VAC	1 1/2 A 30 VDC/120 VAC	1 Block	15 mA	190 mA

**Table 19: System Option for Seismic Compliance**

Model	Description
4100-7912	System option for Seismic compliance, provides additional stabilizer brackets required for legacy style cards

**Table 20: End User Programming Software (requires 4100-8802)**

Model	Description
4100-8802	Programming Software (select)

**Table 21: End User Programming Software Selection (select maximum of one each from below)**

Model	Description
4100-0292	Custom Labels Editing; allows editing of 40 Character Custom Labels for non-system user points
4100-0296	Access Level/Passcode Editing; allows user to re-assign Access Levels and Passcodes for each display function; Acknowledge, Alarm Silence, System Reset, Point Enable/Disable, WALKTEST Enable/Disable, Clear History Logs, Change Time & Date, etc.
4100-0295	Port Vectoring Setup and Control; Allows vectoring of events to PC Annunciator, Printers, LCD Annunciators, etc.
4100-0298	WALKTEST Configuration Setup and Control; Allows user to create or edit WALKTEST groups used to test system initiating devices and signals by a single person, these groups allow an inspector to conduct a one-person WALKTEST in a specific area of a building (or different buildings), and limit the activation of the building signals to only the intended area; up to eight WALKTEST groups are supported

**Table 22: Miscellaneous Accessories**

Model	Description
4100-1279	Single blank 2 in. display cover; 4100-2302 provides a single plate for a full bay
4100-9856*	4100ES Canadian French Appliqué Kit; Simplex, 4100ES, Contrôle Incendie
4100-9857*	4100ES English Appliqué Kit; Simplex, 4100ES, Fire Control
4100-9858*	4100ES InfoAlarm Remote Display English Appliqué Kit; Simplex, Operator Interface, 4100ES
4100-9859*	4100ES InfoAlarm Remote Display Canadian French Appliqué Kit; Simplex, Interface de l'opérateur, 4100ES
4100-9868	Special Purpose Appliqué Kit: Simplex, Elevator Recall Control and Supervisory Control Unit, 4100ES
4100-9869	Special Purpose Appliqué Kit: Simplex, Sprinkler Waterflow and Supervisory Station, 4100ES
4100-9835	Termination and Address Label Kit (for module marking); provides additional labels for field installed modules
4100-6029	Smoke Management Application Guide; required for UUKL listing
4100-6034	Tamper Switch, one per cabinet assembly if required; monitors solid door for panels with solid door; monitors the internal retainer panel for panels with glass door (not the glass door); has a built-in addressable IDNet IAM
2081-9031	Series resistor for WSO, IDCs (N.O. water flow and tamper on same circuit, wires after water flow and before tamper) 470 Ω, 1 W, encapsulated, two 18 AWG leads (0.82 mm <sup>2</sup> ), 2 1/2 in. L x 1 3/8 in. W x 1 in. H (64 mm x 35 mm x 25 mm)

**Note:** \* 4100ES English Appliqués are included with 4100ES Upgrade and Retrofit Kits for mounting 4100ES in 4100, 2120, 2001, and Autocall back boxes so that upgrades can be easily identified as 4100ES. 4100ES Appliqué Kits are available for applications such as to update Remote InfoAlarm Displays connected to a panel that was upgraded to 4100ES or for an existing 4100U when the New Master Controller is upgraded to 4100ES and only a software upgrade is required. When required, French appliqués are ordered separately.

### Network Interface and Network Media Card Product Selection

4100ES fire alarm control units are compatible with Simplex ES Net network or 4120 network fire alarm products.

- Refer to datasheet [S4100-0076](#) for additional information on compatible ES Net fire alarm products.
- Refer to datasheet [S4100-0056](#) for additional information on compatible 4120 fire alarm products.

**Additional 4100ES and Network Product Reference**
**Table 23: Additional 4100ES and Network Product Reference**

<b>Subject</b>	<b>Data Sheet</b>
Serial DACT (SDACT) for 4100ES, 4010ES, 4007ES	S2080-0009
Battery and Battery Cabinet Reference for 4100ES	S2081-0006
110 Ah Batteries and Cabinets for 4100ES	S2081-0012
Seismic Battery Brackets Reference	S2081-0019
4009 IDNet NAC Extender	S4009-0002
4009 IDNAC Repeater	S4009-0004
External 110 Ah Battery Charger for 4100ES, 4010ES	S4081-0002
Graphic I/O Modules for 4100ES, 4010ES, 4007ES	S4100-0005
Interface to VESDA Air Aspiration Detection Systems	S4100-0026
4100ES LED/Switch Modules & Printer	S4100-0032
Master Clock Interface	S4100-0033
4100ES Emergency Voice/Alarm Equipment	S4100-0034
MINIPLEX Transponders with SPS Power Supplies	S4100-0035
NDU with SPS Power Supplies for 4120 Network	S4100-0036
4100ES Enclosures	S4100-0037
4100ES Remote Annunciator Panels	S4100-0038
4100ES Extinguishing Release Applications	S4100-0040
TFX Interface Module	S4100-0042
InfoAlarm Command Center with SPS Power Supplies	S4100-0045
2120 BMUX Module	S4100-0048
Multiple Signal Fiber Optic Modems for 4120 Networks	S4100-0049
BACpac Ethernet Module	S4100-0051
4120 Network Products and Specifications	S4100-0056
Building Network Interface Card (BNIC)	S4100-0061
SafeLINC Internet Interface	S4100-0062
TrueInsight Remote Gateway	S4100-0063
ES Net Network Products and Specifications	S4100-0076
NDU with SPS Power Supplies for ES Net	S4100-0077
4100ES Basic Panels with EPS Power Supplies	S4100-0100
InfoAlarm Command Center with EPS Power Supplies	S4100-0101
NDU with EPS Power Supplies for 4120 Network	S4100-0102
MINIPLEX Transponders with EPS Power Supplies	S4100-0103
NDU with EPS Power Supplies for ES Net	S4100-0104
PC Annunciator	S4190-0013
TrueSite Workstation	S4190-0016
Network System Integrator (NSI) for 4120 Networks	S4190-0017
TrueSite Incident Commander	S4190-0020
24-Pin Dot Matrix Fire Alarm System Remote Printer	S4190-0027
SCU/RCU Annunciators for 4007ES, 4010ES, 4100ES	S4602-0001
LCD Annunciator for 4100ES	S4603-0001